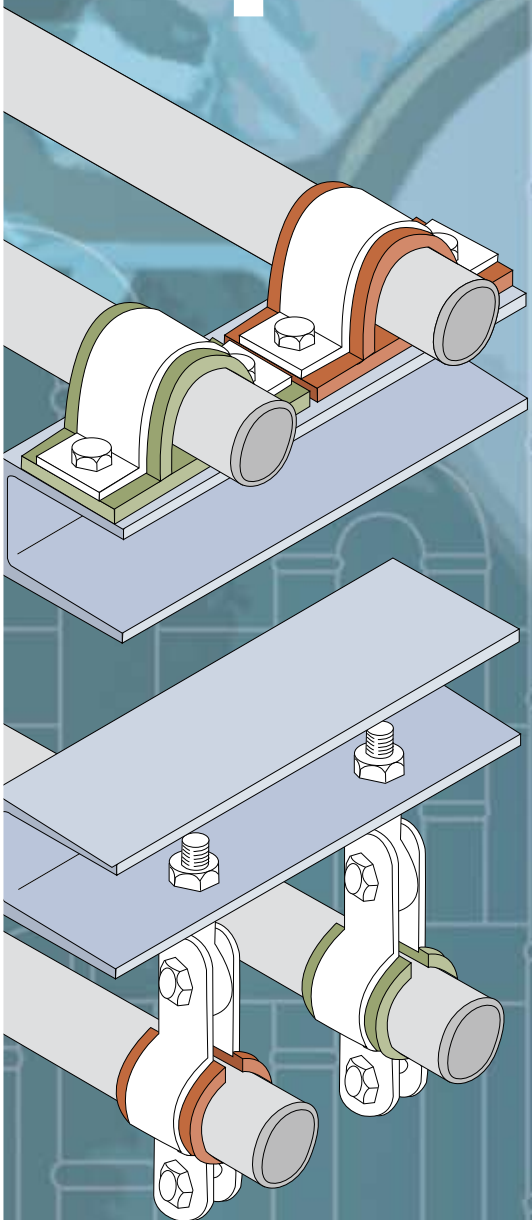


**Clip
Strip**

Tiflex

Utilising our well known TICO S material and drawing on many years of experience in the design of load bearing elastomeric components, we have designed this range of products to provide the highest level of shock and vibration isolation between pipe work and hanger. Available in a comprehensive range of sizes, TICO Clip Strip provides an effective and economical answer to the problem of pipe isolation.

clip strip

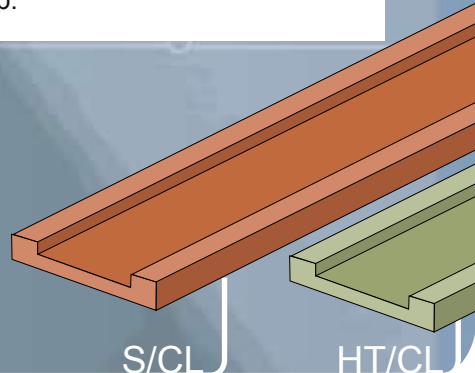


Features & Benefits

- Manufactured from TICO S and TICO HT material, proven in industrial applications worldwide.
- Raised shoulder design for positive location.
- Sizes to suit most common strap widths.
- Quick, easy installation.
- Reduction and absorption of shock, noise and vibration.
- Pliable and easy to cut.
- Prevents electrolytic action between dissimilar metals.
- Every length of TICO Clip Strip incorporates over 50 years of manufacturing expertise.
- Quality assurance to BS EN ISO 9001.
- Grades available to suit temperatures up to +300°C.

As well as the standard range of TICO Clip Strip, special types are available. These include versions with nylon or PTFE facing, increased fire retardancy and non-standard dimensions.

There are many inferior copies of our product on the market. Make sure you specify the original and the best - TICO Clip Strip.



- When ordering quote re-order number given • All sizes supplied in 1200 mm lengths • TICO Clip Strip base thicknesses (dim A) shown are standard. Other sizes are available upon request •

Tiflex

Clip Strip
CS-181206

S/C/L

Colour
Hardness (IRHD)
Density
Operating Temperature Range

Red
69 ± 5°
0.80 g/cc
-40°C to +100°C

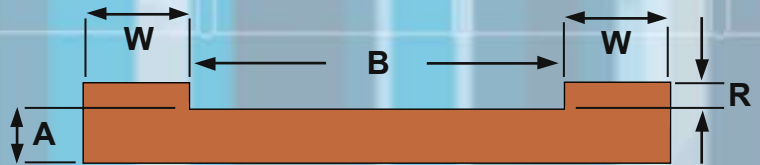
ref number	base thickness (A)	clip width (B)	recessed depth (R)	wall width (W)	re-order number
55-50	3 mm	12.5 mm	1.5 mm	3 mm	TK-070120
55-75	3 mm	19 mm	1.5 mm	3 mm	TK-070198
55-100	5 mm	25 mm	2.5 mm	6 mm	TK-070252
55-125	5 mm	32 mm	2.5 mm	6 mm	TK-070325
55-175	6 mm	40 mm	2.5 mm	6 mm	TK-070406
55-200	6 mm	50 mm	2.5 mm	6 mm	TK-070503
55-250	6 mm	64 mm	2.5 mm	6 mm	TK-070635
55-300	9.5 mm	75 mm	5 mm	12.5 mm	TK-070759
55-400	9.5 mm	100 mm	5 mm	12.5 mm	TK-071003
55-500	9.5 mm	125 mm	5 mm	12.5 mm	TK-071259
55-600	12.5 mm	150 mm	6 mm	19 mm	TK-07150X

HT/C/L

Colour
Hardness (IRHD)
Density
Operating Temperature Range

Green
69 ± 5°
0.90 g/cc
-40°C to +150°C

ref number	base thickness (A)	clip width (B)	recessed depth (R)	wall width (W)	re-order number
55-50	3 mm	12.5 mm	1.5 mm	3 mm	TK-030129
55-75	3 mm	19 mm	1.5 mm	3 mm	TK-030196
55-100	5 mm	25 mm	2.5 mm	6 mm	TK-030250
55-125	5 mm	32 mm	2.5 mm	6 mm	TK-030323
55-175	6 mm	40 mm	2.5 mm	6 mm	TK-102928
55-200	6 mm	50 mm	2.5 mm	6 mm	TK-030501
55-250	6 mm	64 mm	2.5 mm	6 mm	TK-030633
55-300	9.5 mm	75 mm	5 mm	12.5 mm	TK-030757
55-400	9.5 mm	100 mm	5 mm	12.5 mm	TK-031001
55-500	9.5 mm	125 mm	5 mm	12.5 mm	TK-031257
55-600	12.5 mm	150 mm	6 mm	19 mm	TK-031508

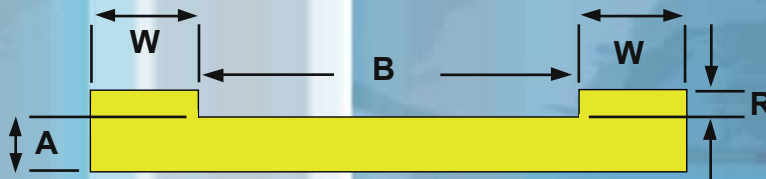
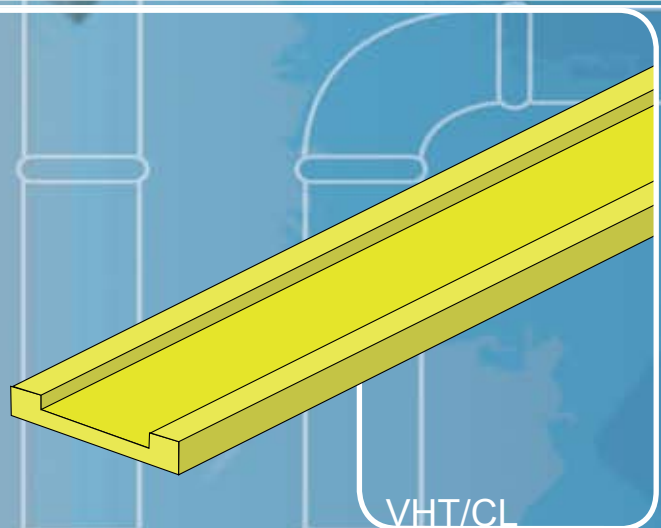


• When ordering quote re-order number given • All sizes supplied in multiples of 1m • TICO Clip Strip base thicknesses (dim A) shown are standard •

Features & Benefits

- Manufactured from high quality polymers.
- Pliable and easy to cut.
- Prevents electrolytic action between dissimilar metals.
- Sizes to suit metric strap sizes.
- Operating temperature range between -60°C and +300°C.
- Bright yellow colour to aid easy identification.

TICO VHT Clip Strip provides the same high levels of pipe/hanger separation as our current range, but with the additional benefit of being able to withstand continuous operating temperatures up to +300°C.



VHT/CL	base thickness (A)	clip width (B)	recessed depth (R)	wall width (W)	re-order number
	2 mm	35 mm	2 mm	5 mm	TK-000300
	2 mm	45 mm	2 mm	5 mm	TK-000408
	2 mm	55 mm	2 mm	5 mm	TK-000505
	2 mm	65 mm	2 mm	5 mm	TK-000602
	2 mm	75 mm	2 mm	5 mm	TK-00070X
	2 mm	85 mm	2 mm	5 mm	TK-000807
	2 mm	95 mm	2 mm	5 mm	TK-000904
	2 mm	105 mm	2 mm	5 mm	TK-001005
	2 mm	115 mm	2 mm	5 mm	TK-001102

Colour
Hardness (IRHD)
Density
Operating Temperature Range
Flexibility

Yellow
65 ± 5°
1.20 g/cc
-60°C to +300°C
Retained flexibility after 1 month at +300°C



Uniclass L7815	EPIC P213
CI/SfB (59)	Xt6

Tiflex

a member of the
James Walker Group
1882-2007

Tiflex Limited, Tiflex House, Liskeard, Cornwall, PL14 4NB, United Kingdom
Tel: +44 (0) 1579 320808 Fax: +44 (0) 1579 320802
Email: marketing@tiflex.co.uk
Web: www.tiflex.co.uk