

Installation Guide for James Walker KlickFix®

1

i Your James Walker KlickFix is factory-assembled ready for installation.

Please read these instructions before starting to fit the seal

Note: there are four options for the pump shaft sleeve that must be taken into account when following the fitting sequence.

1a. Integral shaft sleeve supplied with the cartridge to fit directly on the existing shaft or sleeve of pump.

1b. New shaft sleeve supplied to replace existing shaft sleeve.

1c. Existing shaft sleeve supplied with new coating applied by James Walker.

1d. No shaft sleeve supplied with KlickFix; either because existing sleeve on pump shaft meets James Walker criteria, or customer has manufactured own sleeve.

EN KlickFix is factory assembled, unless different shaft sleeve is needed.

DE Klickfix ist werkseitig montiert, falls andere Wellenschutzhülse nicht erforderlich.

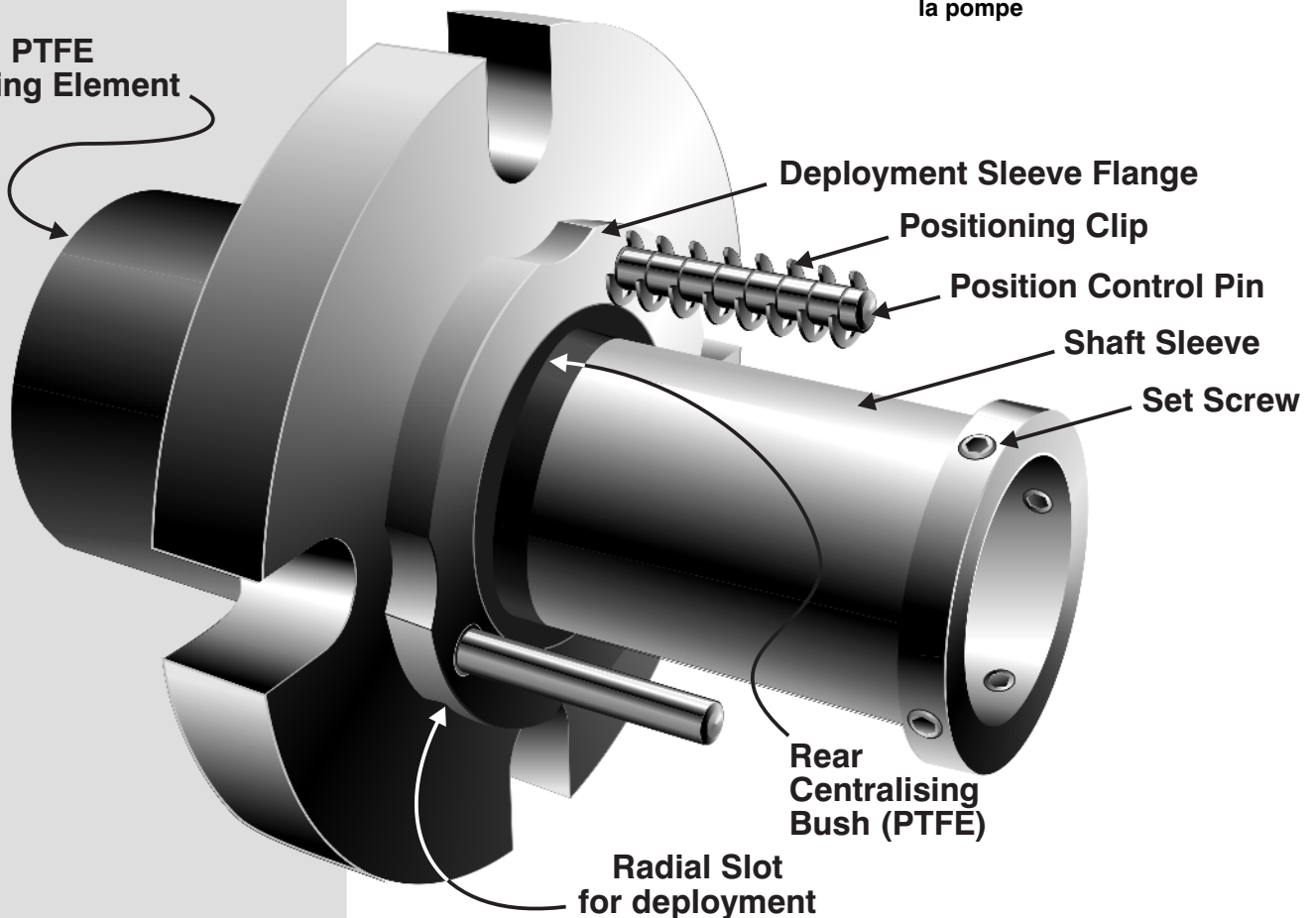
IT KlickFix viene assemblato in fabbrica a meno che sia richiesto un manicotto dell'albero diverso.

NL KlickFix wordt geheel geassembleerd geleverd.

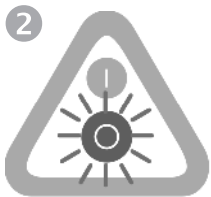
ES KlickFix viene montado de fábrica, salvo que se necesite un casquillo de eje diferente.

F Le KlickFix est assemblé en usine, avec une douille d'arbre adaptée à la pompe

PTFE Sealing Element



Installation Guide for James Walker KlickFix®



For Health & Safety reasons, first switch off pump motor. Dismantle pump in accordance with manufacturer's instructions to expose shaft end. Then



inspect and clean the pump shaft; remove all burrs, debris and sharp corners. Ensure there is a slight chamfer on end of shaft to facilitate seal installation.

- Ⓔ **EN** Shut down & dismantle pump. Clean pump shaft
- Ⓓ **DE** Abschalten und Abbauen Sie die Pumpe. Reinigen Sie die Pumpenwelle.
- Ⓘ **IT** Fermare & smontare la pompa. Pulire l'albero della pompa.
- Ⓝ **NL** Stel de pomp buiten werking en demonteer deze. Maak de pompas schoon en controleer deze.
- Ⓔ **ES** Parar y desmontar la bomba. Limpiar el eje de la bomba.
- Ⓕ **F** Arrêter et démonter la pompe ; nettoyer l'arbre de la pompe.



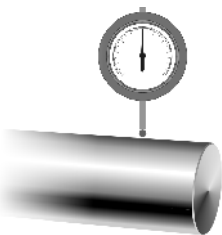
Inspect and clean the face of the seal chamber/gland housing. Remove old gasket material.



Ensure the machined face is in good condition and is perpendicular to shaft. If face is damaged or out of true, it must be re-machined.

- Ⓔ **EN** Clean & check housing flange.
- Ⓓ **DE** Reinigen und überprüfen Sie den Gehäuseflansch.
- Ⓘ **IT** Pulire & controllare la flangia della sede.
- Ⓝ **NL** Maak de lagerstoelflens schoon en controleer deze.
- Ⓔ **ES** Limpiar y revisar la brida del alojamiento.
- Ⓕ **F** Nettoyer et vérifier le logement.

4



Check pump shaft with dial gauge for run-out or misalignment. Maximum recommended TIR (total indicated reading) is 0.1mm.

i Excess run-out or misalignment of shaft will cause premature seal failure.

- Ⓔ **EN** Check pump shaft alignment.
- Ⓓ **DE** Prüfen Sie die Ausrichtung der Pumpenwelle.
- Ⓘ **IT** Controllare l'allineamento dell'albero della pompa.
- Ⓝ **NL** Controleer of de pompas uitgelijnd is ten opzichte van het huis.
- Ⓔ **ES** Comprobar la alineación del eje de la bomba.
- Ⓕ **F** Vérifier l'alignement de l'arbre de la pompe.

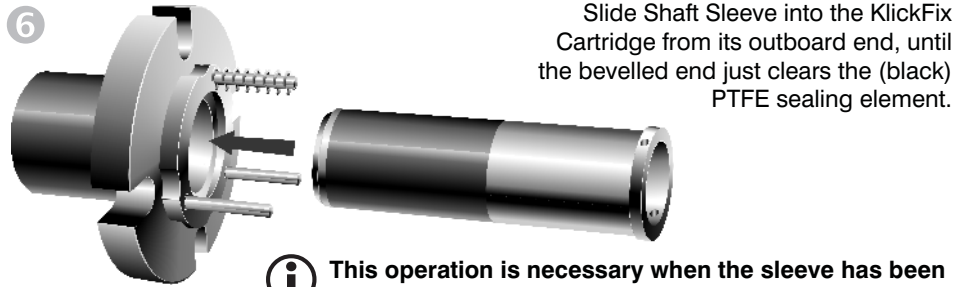
5



Lubricate 'O' ring on ID Shaft Sleeve with silicone grease or non-abrasive soap.

- Ⓔ **EN** Lubricate 'O' ring in Shaft Sleeve.
- Ⓓ **DE** Schmieren Sie 'O' Ring in der Wellenschutzhülse.
- Ⓘ **IT** Lubrificare l' 'O' ring nel manicotto dell'albero.
- Ⓝ **NL** Smeer de O'ring van de asbus.
- Ⓔ **ES** Lubricar la tórica del casquillo del eje
- Ⓕ **F** Lubrifier le torique de la douille.

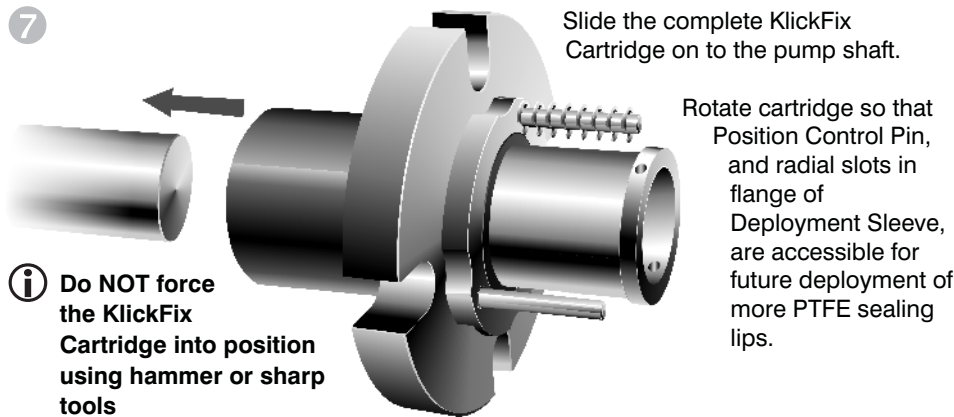
Installation Guide for James Walker KlickFix®



Slide Shaft Sleeve into the KlickFix Cartridge from its outboard end, until the bevelled end just clears the (black) PTFE sealing element.

i This operation is necessary when the sleeve has been supplied separately (see 1b, 1c, and 1d).

- EN If necessary, insert Shaft Sleeve (1).
- DE Falls nötig, legen Sie die Wellenschutzhülse ein (1).
- IT Inserire, se necessario, il manicotto dell'albero (1).
- NL Indien nodig, plaats de asbus (1)
- ES Si es necesario, inserte el casquillo del eje (1).
- F Si nécessaire insérer le manchon d'arbre



Slide the complete KlickFix Cartridge on to the pump shaft.

Rotate cartridge so that Position Control Pin, and radial slots in flange of Deployment Sleeve, are accessible for future deployment of more PTFE sealing lips.

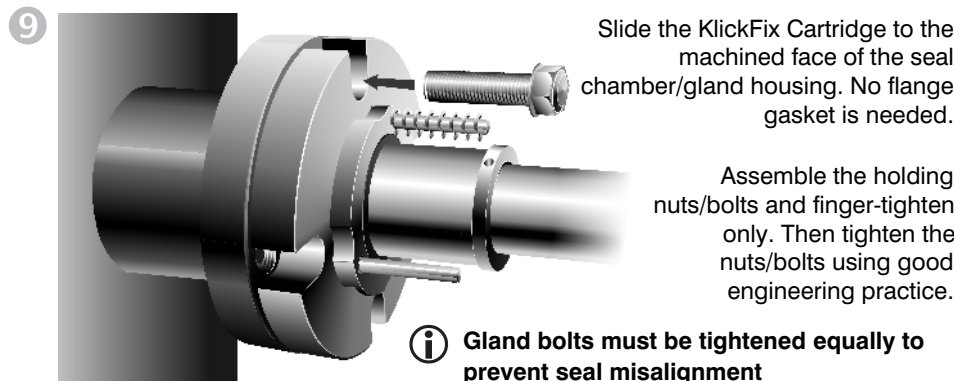
i Do NOT force the KlickFix Cartridge into position using hammer or sharp tools

- EN Fit Cartridge on shaft. Allow access to Positioning Clips and Radial Slots.
- DE Bringen Sie die Kassette auf der Welle an. Erlauben Sie den Eingang der Positionier-Klammer und des Radial-Slots.
- IT Montare la cartuccia sull'albero. Lasciare accesso al posizionamento delle clips ed alle scanalature radiali.
- NL Wees er zeker van dat er voldoende ruimte beschikbaar is ten opzichte van de eerste obstructie.
- ES Encajar el cartucho en el eje. Permitir el acceso a los clips de posicionamiento y las ranuras radiales.
- F Installer le cartouche KlickFix sur l'arbre. Libérer l'espace d'accès aux clips et aux encoches radiales.

8 Re-assemble the pump.

- EN Re-assemble pump
- DE Wieder zusammenbauen der Pumpe.
- IT Rimontare la pompa.

- NL Zet de pomp weer in elkaar.
- ES IVolver a montar la bomba.
- F Assembler à nouveau la pompe



Slide the KlickFix Cartridge to the machined face of the seal chamber/gland housing. No flange gasket is needed.

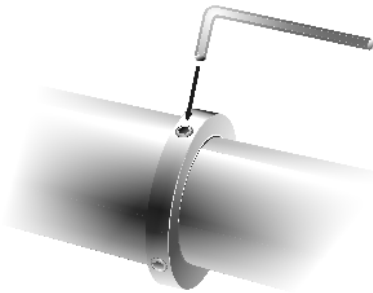
Assemble the holding nuts/bolts and finger-tighten only. Then tighten the nuts/bolts using good engineering practice.

i Gland bolts must be tightened equally to prevent seal misalignment

- EN Slide Cartridge to housing flange. Affix housing bolts.
- DE Schieben Sie die Kassette in den Gehäuseflansch. Befestigen Sie die Gehäuseschrauben.
- IT Far scorrere la cartuccia fino alla flangia della sede. Fissare i bulloni della sede.
- NL Schuif de Klickfix naar de sealkamer. Monteer de bevestigingsbouten.
- ES Deslizar el cartucho hasta la brida del alojamiento. Apretar Iso tornillos del alojamiento.casquillo.
- F Glisser le cartouche KlickFix dans le corps de pompe. Positionner, puis serrer les boulons de fixation

Installation Guide for James Walker KlickFix®

10



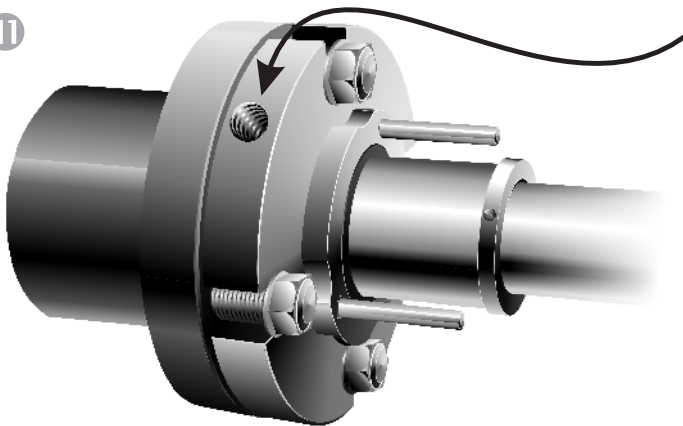
When using sleeve option 1a, slide the Shaft Sleeve along the pump shaft so the edge of the coated area is in line with the edge of the Rear Centralising Bush.

Then affix the Shaft Sleeve to pump shaft by evenly tightening each set screw until it just touches the shaft (these screws are around the flange at outboard end of the shaft sleeve). Now tighten the set screws until the points are embedded in the shaft surface.

i DO NOT use anti-seize or thread-lock compound

- EN Align Shaft Sleeve coating with Rear Bush. Tighten Set Screws to affix to shaft.
- DE Richten Sie die Wellenschutzhülse-Beschichtung mit hinteren Hülse. Ziehen Sie die Schrauben an, auf der Welle anzubringen.
- IT Allineare il rivestimento del manicotto dell'albero con la bussola posteriore. Serrare la serie di viti per il fissaggio all'albero.
- NL Centreer de asbus met de centreerbussen. Draai de Set Screws aan om zo de as vast te zetten.
- ES Alinear el recubrimiento del casquillo del eje con el cojinete trasero. Apretar los tornillos de posicionamiento para fijarlo al eje.
- F Aligner la douille revêtue sur l'arbre de la pompe. Serrer les vis-pointeau de la douille;

11



For applications with abrasive fluid media, connect a suitable flush system to the gland port. Ensure that the flush pressure is at least 35kPa (5psi) above the maximum pressure in the gland. Apply flush water to cartridge before pump start-up.

- EN If needed, connect flush system. Start flush.
- DE Wenn nötig, legen Sie das Spülungs-System an. Starten Sie das Spülungs-System.
- IT Collegare, se necessario, il sistema di flussaggio. Avviare il flussaggio.
- NL Indien nodig, verbind de spoelleiding en activeer de spoeling.
- ES Si es necesario, conectar el sistema de flujo. Poner en marcha el flujo.
- F Si nécessaire, connecter le circuit de flush. Mettre en pression le circuit.

12

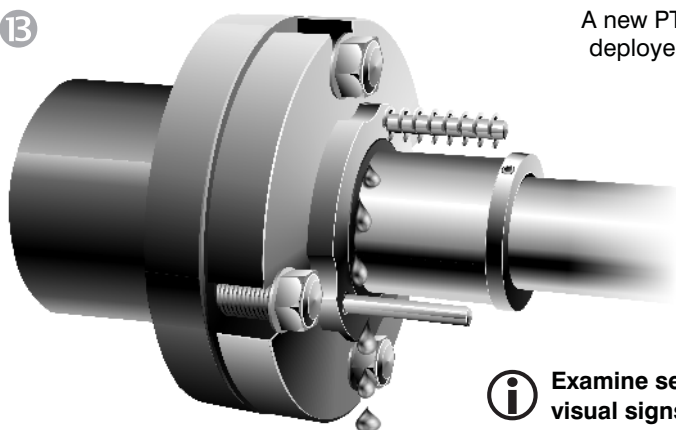
At start-up, open all valves to flood the pump seal chamber. If possible, vent any air that may be trapped in chamber.

- EN Vent pump chamber at start-up
- DE Lüften Sie die Pumpenkammer beim Start-up.
- IT All'avviamento far sfogare l'aria dalla camera della pompa.
- NL Ontlucht de sealkamer bij de ingebruikname.
- ES Purgar la cámara de la bomba en el arranque.
- F Faire sortir l'air dans la chambre de la pompe au démarrage.

Installation Guide for James Walker KlickFix®

Seal Lip Deployment Guide

13



A new PTFE sealing lip should be deployed when leakage from the cartridge is visible.



Examine seal periodically for visual signs of leakage

- EN When leakage appears deploy new seal lip.
- DE Wenn Sie Leckage sehen, wenden Sie neue Dichtlippe an.
- IT Quando appare la perdita inserire il nuovo labbro della guarnizione.
- NL Indien lekkage optreedt een nieuwe lip-afdichting in bedrijf stellen.
- ES Cuando aparezcan fugas libere un nuevo labio de sellado.
- F Lorsqu' une fuite apparait, une nouvelle lèvre devra être déployée

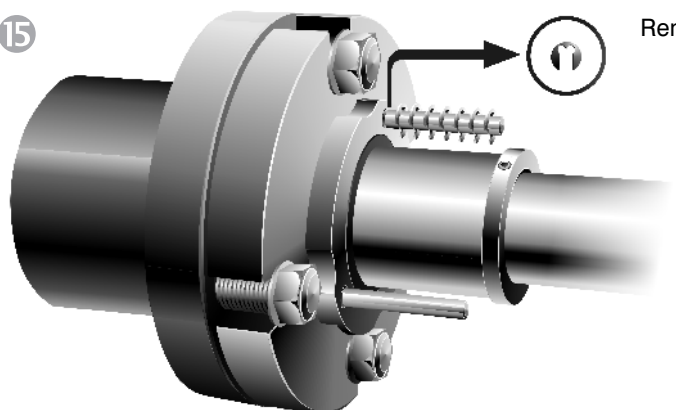
14



For Health & Safety reasons, shut down the pump motor before working on your James Walker KlickFix Cartridge.

- EN Shut down pump.
- DE Schalten Sie die Pumpe ab.
- IT Fermare la pompa.
- NL Stel de pomp buiten werking.
- ES Parar la bomba.
- F Arrêter la pompe

15

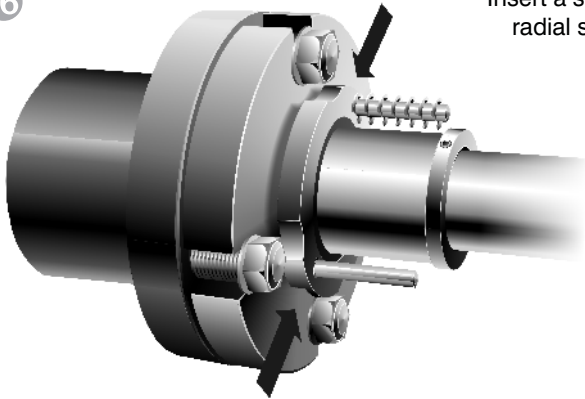


Remove the first Positioning Clip (E-Clip) from the Position Control Pin.

- EN Remove first Positioning Clip.
- DE Entfernen Sie die Positionier-Klammer.
- IT Rimuovere la prima clip di posizionamento.
- NL Verwijder de eerste positioneringsclip.
- ES Quitar el primer clip de posicionamiento.
- F Enlever le premier clip.

Seal Lip Deployment Guide for James Walker KlickFix®

16



Insert a small pry bar into each of the two radial slots in Deployment Sleeve, near the gland ring.

Push the pry bars simultaneously to move the Deployment Sleeve outboard until its flange reaches the next Positioning Clip (E-Clip).

The new PTFE sealing lip is now deployed.

- EN Move Deployment Sleeve to next Clip.
- DE Schieben sie Einsatz Hülse zur nächsten Klammer.
- IT Spostare il pattino fino alla messa in funzione della clip successiva.
- NL Beweeg de verstelbare stationaire asbus naar de volgende clip
- ES Deslizar el cartucho hasta la brida del alojamiento. Fijar los tornillos del alojamiento.
- F Reculer le manchon de maintien des lèvres jusqu'au clip suivant.

17



Re-start the pump and check operation of pump and seal.

- EN Restart pump & check for leaks.
- DE Anschalten Sie die Pumpe wieder und Prüfen für die Leckage.
- IT Far ripartire la pompa & controllare le perdite.
- NL Herstart de pomp en controleer deze op lekkage.
- ES Arrancar la bomba y chequear si hay fugas.
- F Redémarrer la pompe et vérifier les fuites

18 Repeat sequences 13 - 17 for deployment of each new PTFE sealing lip when leakage becomes visible.

i As soon as the final PTFE sealing lip is deployed, contact James Walker for a KlickFix Refurbishing Kit to match your specific cartridge.

- EN Repeat 13-17 when leak appears.
- DE Wiederholen Sie 13-17 wenn Leckage erscheint.
- IT In caso di perdita ripetere da 13 a 17.
- NL Herhaal vanaf 13 tot en met 17 indien lekkage optreedt.
- ES Repetir 13 al 17 cuando aparezcan fugas.
- F Répéter de 13 à 17 en cas de fuites.

Material Safety Data Sheets are available on request

www.jameswalker.biz

James Walker & Co Ltd Customer Support Centre, 1 Millennium Gate, Westmere Drive, Crewe, Cheshire, CW1 6AY UK
Tel: +44 (0)1270 536000 Fax: +44 (0)1270 536100 Email: csc@jameswalker.biz

Health warning: If PTFE or fluoroelastomer (eg, FKM, FFKM, FEPM) products are heated to elevated temperatures, fumes will be produced which may give unpleasant effects, if inhaled. Whilst some fumes are emitted below 250°C from fluoroelastomers or below 300°C from PTFE, the effect at these temperatures is negligible. Care should be taken to avoid contaminating tobacco with particles of PTFE or fluoroelastomer, or with PTFE dispersion, which may remain on hands or clothing.

Information in this publication and otherwise supplied to users is based on our general experience and is given in good faith, but because of factors which are outside our knowledge and control and affect the use of products, no warranty is given or is to be implied with respect to such information. Unless governed by type approval or contract, specifications are subject to change without notice. Statements of operating limits quoted in this publication are not an indication that these values can be applied simultaneously.

To ensure you are working with the very latest product specifications, please consult the relevant section of the James Walker website: www.jameswalker.biz.

CPC 08 Level 08 140611