

On-site Refurbishment Guide for James Walker KlickFix®



i Check all items in your James Walker KlickFix® Component Replacement Kit. Wipe components with a clean cloth before installation.

EN Check kit & wipe items.

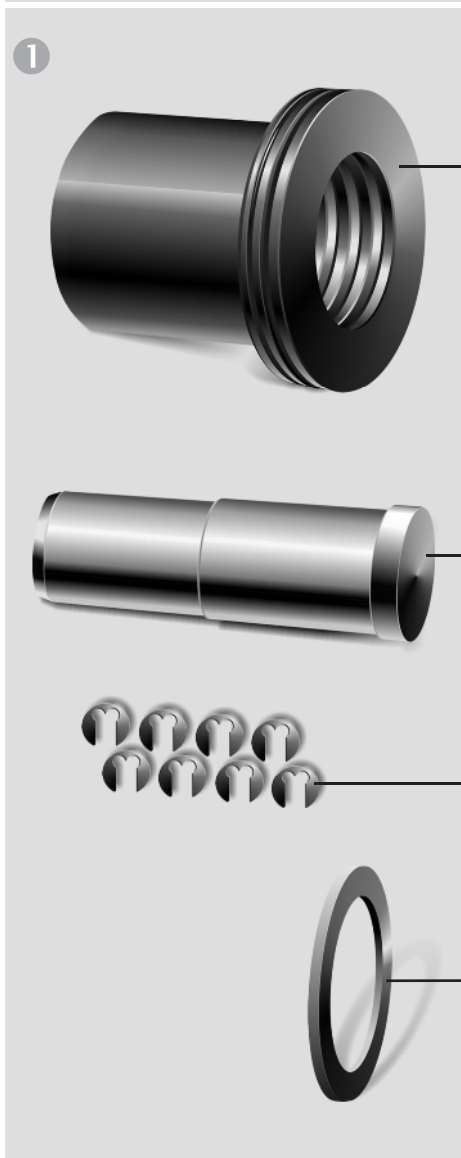
DE Prüfen Sie das Kit & wischen Sie die Teile ab

IT Controllare il kit e pulire i particolari

NL Controleer het onderdelenpakket en wrijf de onderdelen schoon.

ES Compruebe el kit y limpie las partes.

F Vérifier le kit et essuyer les pièces



Kit contents

● **PTFE Sealing Element**
preformed and factory fitted with 'O' rings

● **Reusable Former**
(supplied with first kit)

● **Positioning Clips (E-Clips)**

● **Rear Centralising Bush**

On-site Refurbishment Guide for James Walker KlickFix®

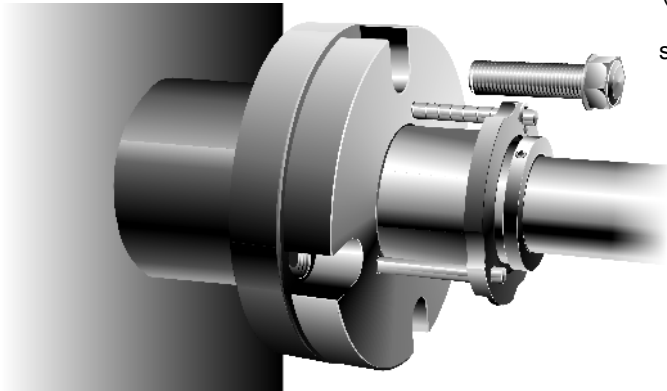
2



For Health & Safety reasons, shut down the pump motor before working on your KlickFix Cartridge. Dismantle pump in accordance with manufacturer's instructions to expose shaft end.

- Ⓔ **EN Shut down & dismantle pump.**
- Ⓓ **DE Schalten Sie die Pumpe aus und bauen Sie sie ab.**
- Ⓘ **IT Fermare & smontare la pompa.**
- Ⓝ **NL Stel de pomp buiten werking en demonteer deze.**
- Ⓔ **ES Parar y desmontar la bomba.**
- Ⓕ **F Arrêter et démonter la pompe**

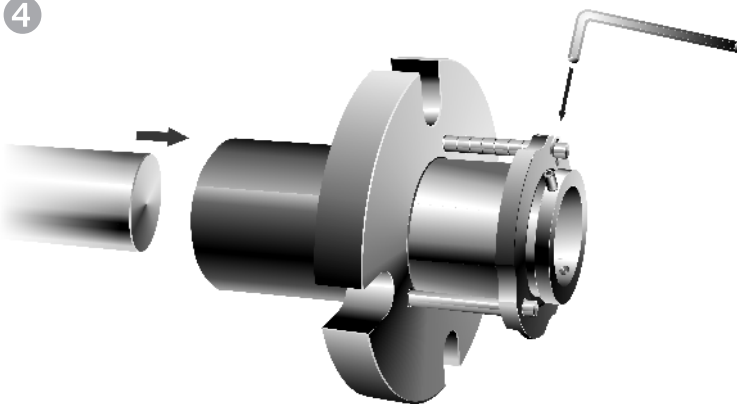
3



Remove flush connection (if installed), then remove the gland nuts/bolts that secure the Seal Cartridge to the pump housing.

- Ⓔ **EN Remove flush connection (if fitted) & remove housing bolts.**
- Ⓓ **DE Entfernen Sie die Spülungs-Verbindung (Falls eingebaut) & entfernen Sie die Gehäuseschrauben.**
- Ⓘ **IT Scollegare il flussaggio (se montato) & togliere i bulloni della sede.**
- Ⓝ **NL Verwijder de spoelleiding (indien aanwezig) en demonteer de bouten.**
- Ⓔ **ES Desconectar la conexión de flujo (si existiera) y sacar los tornillos del alojamiento.**
- Ⓕ **F Déconnecter le circuit flush (si branché) et enlever les boulons de fixation du cartouche.**

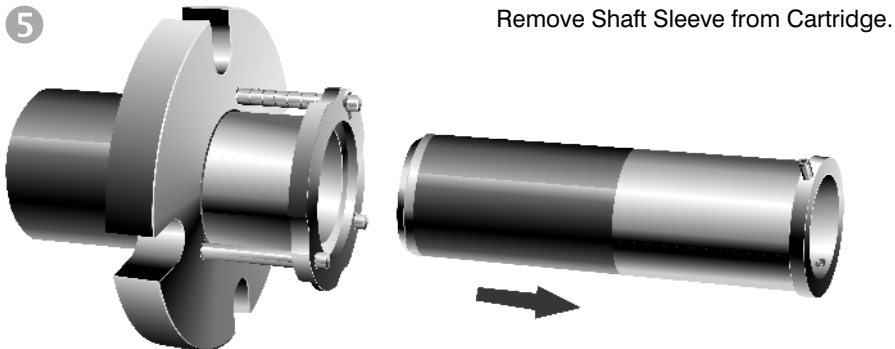
4



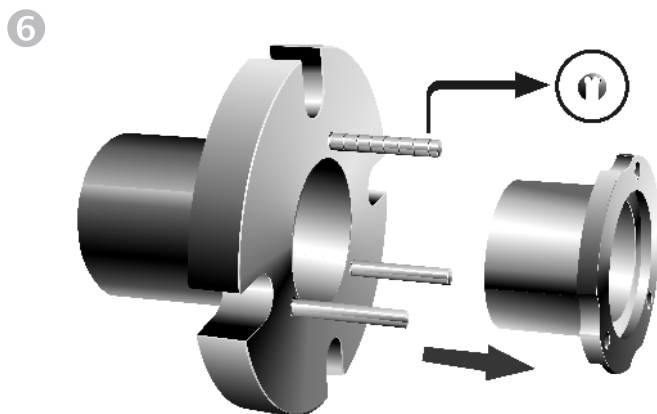
Loosen the set screws that affix the Shaft Sleeve to pump shaft, and carefully withdraw the KlickFix Cartridge from pump shaft.

- Ⓔ **EN Loosen Set Screws & remove Cartridge from shaft.**
- Ⓓ **DE Lösen Sie die Schrauben und entfernen Sie die Kassette von der Welle.**
- Ⓘ **IT Allentare la serie di viti & rimuovere la cartuccia dall'albero.**
- Ⓝ **NL Maak de Set Screws los en demonteer de KlickFix van de as.**
- Ⓔ **ES Aflojar los tornillos de fijación y separar el cartucho del eje.**
- Ⓕ **F Desserrer l'ensemble des vis et enlever la cartouche KlickFix de l'arbre**

On-site Refurbishment Guide for James Walker KlickFix®



- EN Remove Shaft Sleeve.
- DE Entfernen Sie die Wellenschutzhülse.
- IT Rimuovere il manicotto dell'albero.
- NL Verwijder de asbus.
- ES Aflojar los tornillos de fijación y separar el cartucho del eje.
- F Ôter la douille d'arbre



Remove last Positioning Clip, (E-Clip) from Position Control Pin, then remove Deployment Sleeve from Cartridge.

- EN Remove last Positioning Clip. Remove Deployment Sleeve.
- DE Entfernen Sie die letzte Positionier-Klammer. Entfernen Sie die Einsatz-Hülse.
- IT Rimuovere l'ultima clip di posizionamento. Rimuovere il pattino.
- NL Verwijder de laatste positioneringsclip. Verwijder de verstelbare stationaire sleeve.
- ES Sacar el último clip de posicionamiento. Sacar el casquillo de instalación.
- F Retirer le dernier clip de positionnement. Enlever le manchon de déploiement

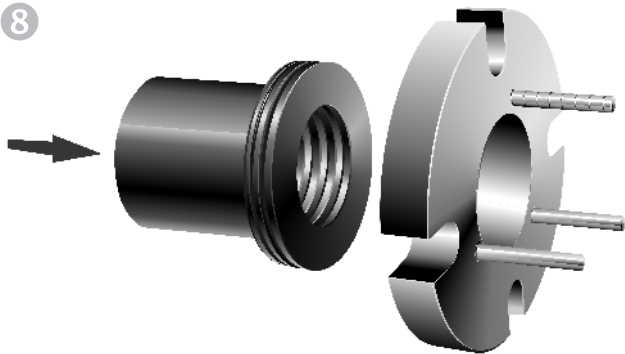


Remove old PTFE Sealing Element from Cartridge and discard in an approved manner.

- EN Remove old Sealing Element.
- DE Entfernen Sie das alte Dichtungselement.
- IT Rimuovere il vecchio elemento di tenuta.
- NL Verwijder het oude afdichtingselement.
- ES Quitar el elemento de sellado viejo.
- F Enlever l'ancien élément d'étanchéité

On-site Refurbishment Guide for James Walker KlickFix®

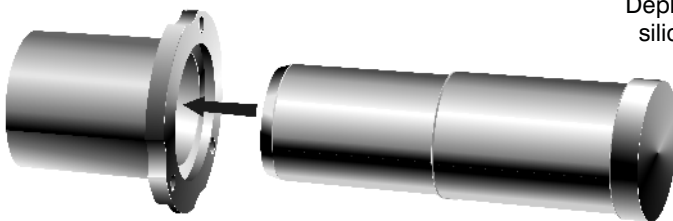
8



Press new PTFE Sealing Element into Cartridge gland. This Sealing Element comes with pre-formed lips and factory-fitted 'O' rings.

- EN Insert new Sealing Element.
- DE Legen Sie das neue Dichtungselement ein.
- IT Inserire il nuovo elemento di tenuta.
- NL Plaats het nieuwe afdichtingselement.
- ES Insertar el nuevo elemento de sellado.
- F Insérer le nouvel élément d'étanchéité

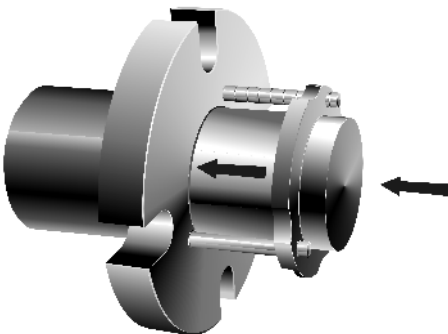
9



Fit together the Deployment Sleeve and Reusable Former. Lubricate the edge of the Deployment Sleeve with silicone grease or non-abrasive soap.

- EN Fit Former into Deployment Sleeve. Lubricate Sleeve.
- DE Bringen Sie den Former an der Einsatz-Hülse an. Schmieren Sie die Hülse.
- IT Montare l'elemento per l'assemblaggio nel pattino. Lubrificare il pattino.
- NL Plaats de positioneringsas in de verstelbare stationaire sleeve. Smeer de verstelbare stationaire sleeve.
- ES Encajar el preformador en el casquillo de montaje. Lubricar el casquillo.
- F Monter le gabarit dans le manchon de déploiement. Lubrifier le manchon

10

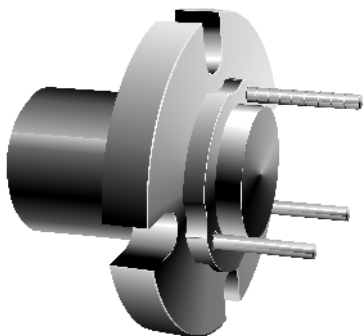


Slowly press the Deployment Sleeve and Reusable Former simultaneously into the PTFE Sealing Element — ensure that entry alignment is true and not at an angle.

- EN Press Former & Sleeve together into Sealing Element.
- DE Drücken Sie den Former & Hülse zusammen in das Dichtungselement.
- IT Premere insieme l'elemento per l'assemblaggio ed il pattino nella tenuta.
- NL Druk de tijdelijke positioneringsas en de verstelbare stationaire positioneringsas samen in het afdichtingselement.
- ES Presionar el preformador y el casquillo dentro del elemento de sellado.
- F Presser le gabarit et le manchon ensemble dans l'élément d'étanchéité

On-site Refurbishment Guide for James Walker KlickFix®

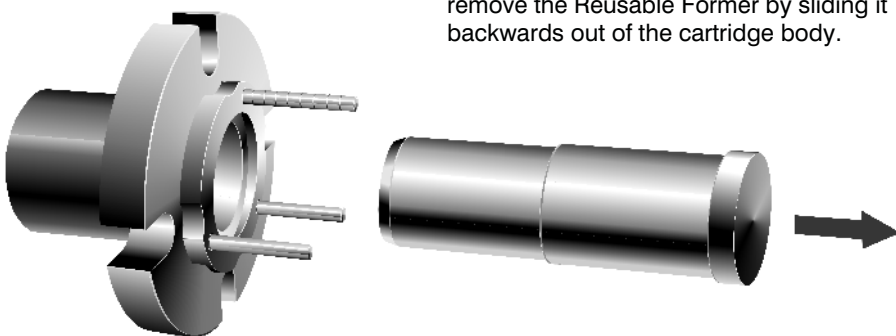
11



When Deployment Sleeve is hard against the gland face, typically six of the PTFE lips will be in stored position, and two lips will be deployed ready for sealing duties.

- ① EN Push Sleeve hard against flange.
- ① DE Schieben Sie die Hülse hart gegen den Flansch.
- ① IT Spingere con forza il pattino contro la flangia.
- ① NL Druk de sleeve hard tegen de flens.
- ① ES Presionar el casquillo fuertemente contra la brida.
- ① F Presser fortement le manchon contre la bride.

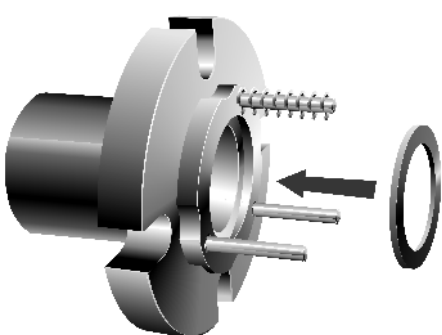
12



Leave Deployment Sleeve in position, and remove the Reusable Former by sliding it backwards out of the cartridge body.

- ① EN Leave Deployment Sleeve in position & remove Former.
- ① DE Lassen Sie die Ersatz-Hülse in der Position und entfernen Sie den Former
- ① IT Lasciare in posizione il pattino & rimuovere l'elemento per l'assemblaggio.
- ① NL Houdt de verstelbare stationaire positioneringsas in de juiste positie en verwijder de tijdelijke positioneringsas.
- ① ES Dejar el casquillo de instalación en posición y sacar el preformador.
- ① F Laisser le manchon de déploiement en position et enlever le gabarit.

13

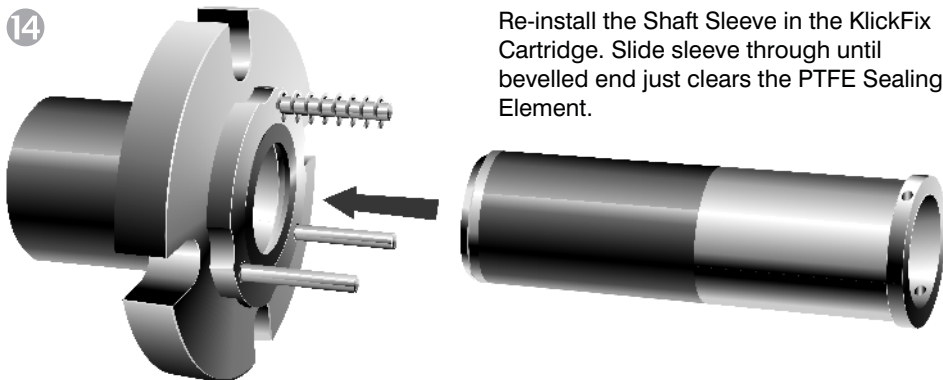


Install new Rear Centralising Bush into housing in flange of Deployment Sleeve. Then install new Positioning Clips (E-Clips) in the grooves on the Position Control Pin.

- ① EN Install new Rear Centralising Bush & Positioning Clips.
- ① DE Montieren Sie die neue hintere Zentralisierungs-Hülse und entfernen Sie die Positionier-Klammer.
- ① IT Installare la nuova bussola posteriore di centraggio e le clips di posizionamento
- ① NL Installeer de nieuwe centreerbus & positioneringsclips.
- ① ES Instalar el nuevo cojinete de centrado y los clips de posicionamiento.
- ① F Installer le nouveau coussinet de centrage et les clips de positionnement.

On-site Refurbishment Guide for James Walker KlickFix®

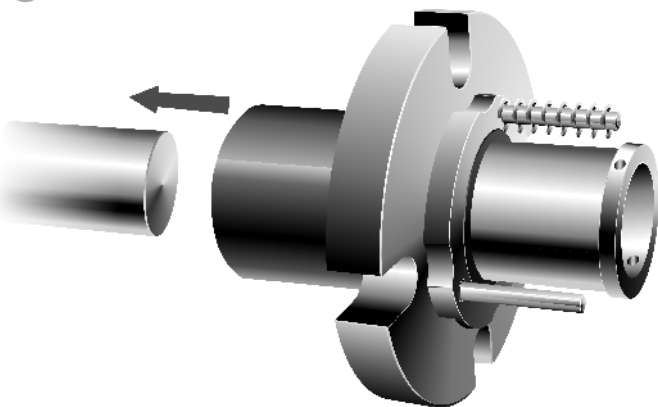
14



Re-install the Shaft Sleeve in the KlickFix Cartridge. Slide sleeve through until bevelled end just clears the PTFE Sealing Element.

- Ⓔ**N** Re-insert Shaft Sleeve.
- Ⓓ**E** Setzen Sie die Wellenschutzhülse wieder ein.
- Ⓘ**T** Reinserire il manicotto dell'albero.
- Ⓝ**L** Herplaats de asbus.
- Ⓔ**S** Reinsertar el casquillo del eje.
- Ⓕ**F** Insérer la douille d'arbre

15

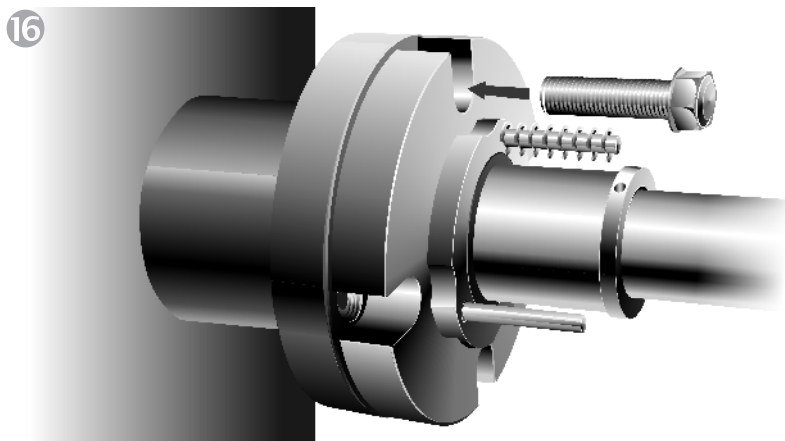


Mount the KlickFix Cartridge on to the pump shaft. Rotate Cartridge to allow access to Position Control Pin and radial slots in flange of Deployment Sleeve.

Where necessary, reassemble the pump.

- Ⓔ**N** Fit Cartridge on Shaft. Re-assemble pump.
- Ⓓ**E** Bringen Sie die Kassette auf der Welle an. Wieder zusammenbauen der Pumpe.
- Ⓘ**T** Montare la cartuccia sull'albero. Rimontare la pompa.
- Ⓝ**L** Plaats de cartridge op de as. Zet de pomp in elkaar.
- Ⓔ**S** Montar el cartucho en el eje. Montar la bomba.
- Ⓕ**F** Installer la cartouche KlickFix sur l'arbre. Assembler de nouveau la pompe.

16



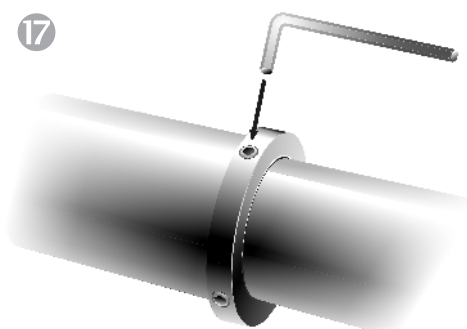
Slide KlickFix Cartridge up to machined face of the seal chamber/gland housing of pump (no flange gasket needed).

Assemble and finger-tighten the bolts/nuts. Then tighten the nuts/bolts using good engineering practice.

- Ⓔ**N** Slide Cartridge to housing flange. Affix housing bolts.
- Ⓓ**E** Schieben Sie die Kassette in den Gehäuseflansch. Befestigen Sie die Gehäuseschrauben
- Ⓘ**T** Far scorrere la cartuccia fino alla flangia della sede. Fissare i bulloni della sede.
- Ⓝ**L** Schuif de cartridge naar de flens. Bevestig de bouten.
- Ⓔ**S** Deslizar el cartucho hasta la brida del alojamiento. Fijar los tornillos del alojamiento.
- Ⓕ**F** Glisser la cartouche KlickFix dans la bride du logement. Serrer les boulons de fixation.

On-site Refurbishment Guide for James Walker KlickFix®

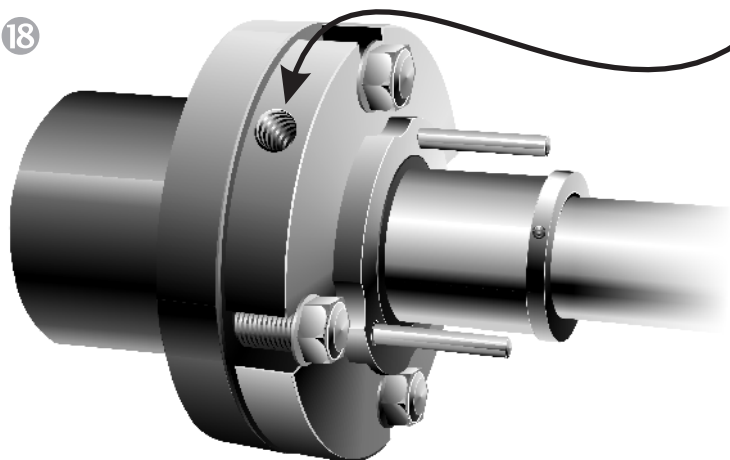
17



Affix the Shaft Sleeve to pump shaft by evenly tightening each set screw until it just touches the shaft. Then tighten set screws until the points are embedded in shaft surface.

- EN Tighten Set Screws to affix Shaft Sleeve to shaft.
- DE Ziehen Sie die Schrauben an, um die Wellenschutzhülse auf der Welle anzubringen.
- IT Serrare la serie di viti per fissare il manicotto all'albero.
- NL Draai de Set Screws vast om zo de asbus op de as te bevestigen.
- ES Apretar los tornillos de fijación para fijar el casquillo del eje al eje.
- F Serrer l'ensemble des vis pour fixer la douille à l'arbre ;

18



Where necessary, re-connect the flush system and apply flush water to cartridge before pump start-up. Pump is now ready to enter service with the new Sealing Element

- EN If needed, reconnect flush system. Start flush.
- DE Falls nötig, klemmen Sie das Spülungs-System um. Starten Sie die Spülung.
- IT Ricollegare, se necessario, il sistema di flussaggio. Avviare il flussaggio.
- NL Indien nodig, sluit de spoelleiding weer aan. Activeer het spoelsysteem.
- ES Si es necesario, volver a conectar el flujo. Poner en marcha el flujo.
- F Si besoin, reconnecter le circuit de flush; mettre en pression le circuit.

19

At start-up, open all valves to flood the pump chamber. If possible, vent any air that may be trapped in chamber.

- EN At pump start-up vent air from chamber.
- DE Lüften Sie die Luft aus der Kammer beim Start-up der Pumpe.
- IT All'avviamento della pompa far sfogare l'aria dalla camera.

- NL Ontlucht bij het opstarten van de pomp de sealkamer.
- ES Al arrancar la bomba purgue el aire de la cámara.
- F Au démarrage de la pompe, laisser échapper l'air de la chambre.

Material Safety Data Sheets are available on request

James Walker & Co Ltd Customer Support Centre, 1 Millennium Gate, Westmere Drive, Crewe, Cheshire, CW1 6AY UK
Tel: +44 (0)1270 536000 Fax: +44 (0)1270 536100 Email: csc@jameswalker.biz

Health warning: If PTFE or fluoroelastomer (eg, FKM, FFKM, FEPM) products are heated to elevated temperatures, fumes will be produced which may give unpleasant effects, if inhaled. Whilst some fumes are emitted below 250°C from fluoroelastomers or below 300°C from PTFE, the effect at these temperatures is negligible. Care should be taken to avoid contaminating tobacco with particles of PTFE or fluoroelastomer, or with PTFE dispersion, which may remain on hands or clothing.

Information in this publication and otherwise supplied to users is based on our general experience and is given in good faith, but because of factors which are outside our knowledge and control and affect the use of products, no warranty is given or is to be implied with respect to such information. Unless governed by type approval or contract, specifications are subject to change without notice. Statements of operating limits quoted in this publication are not an indication that these values can be applied simultaneously.

To ensure you are working with the very latest product specifications, please consult the relevant section of the James Walker website: www.jameswalker.biz.

www.jameswalker.biz